

# SCALARWORKS®

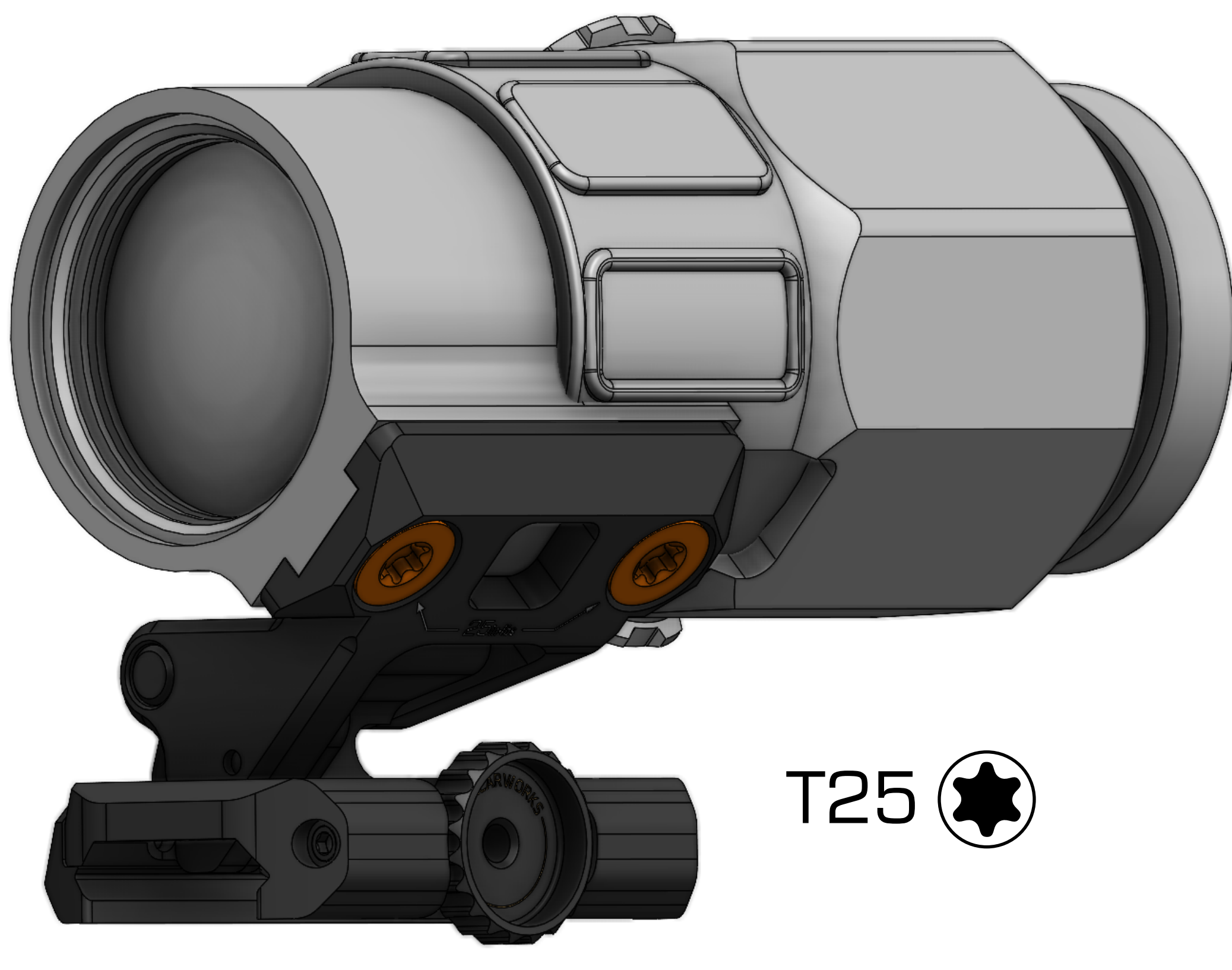
S H O O T E R D R I V E N ®

## LEAP/16

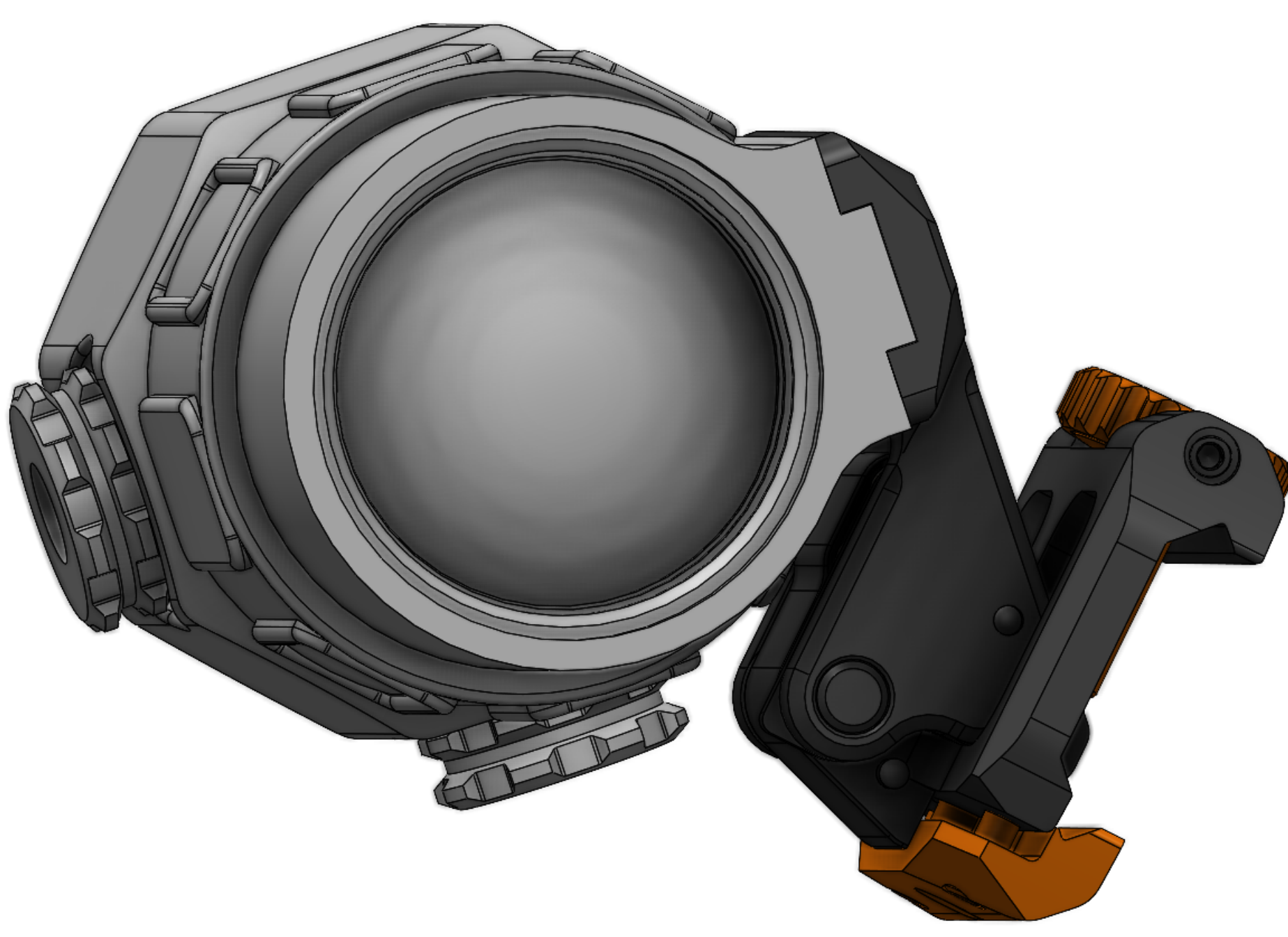
OWNER'S MANUAL



01. Fasten magnifier to swingarm in the direction that will yield the desired flip direction at 25inch-lbs.

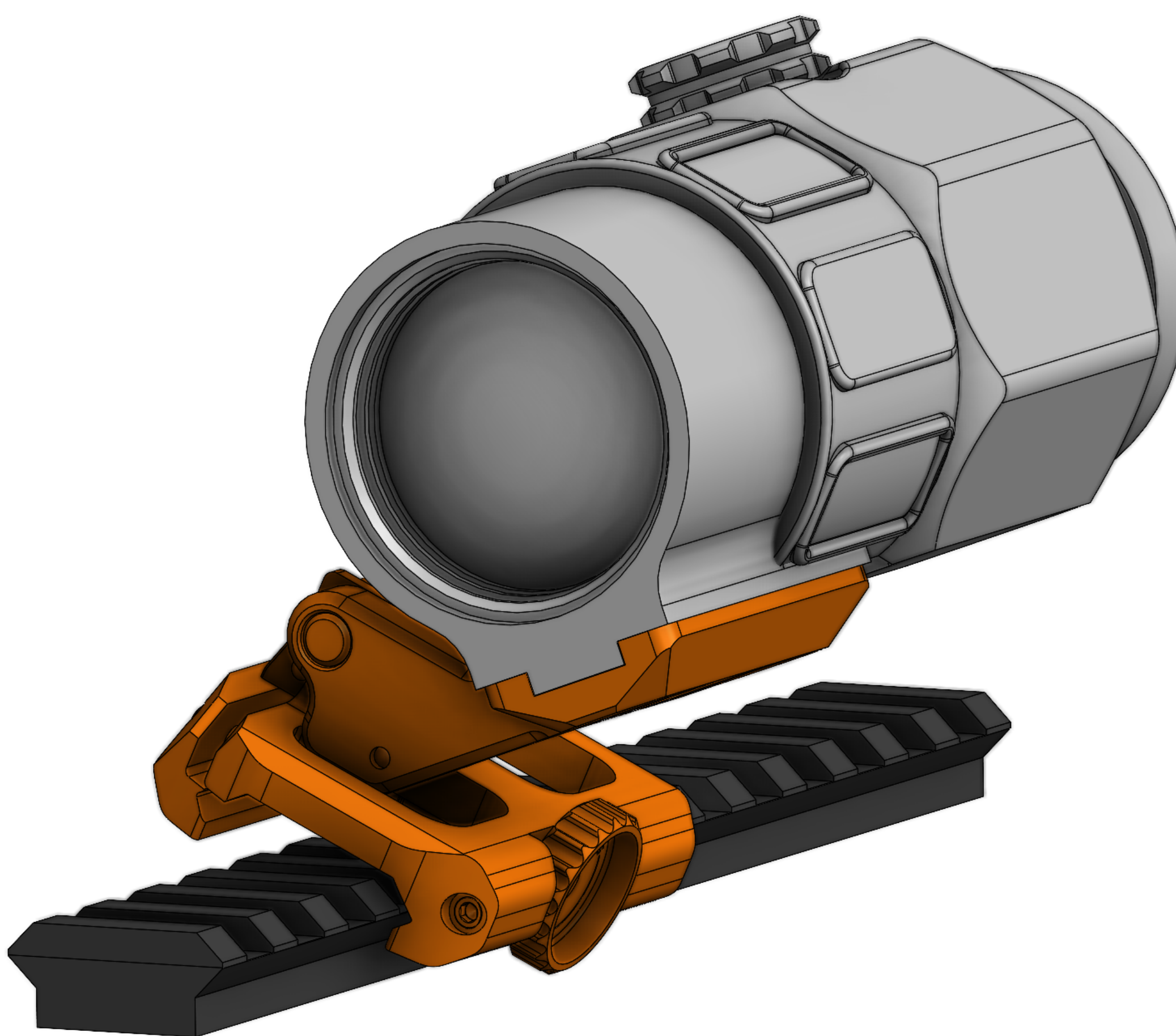


02. Open clamp no further than internal stop allows to prevent clamp from wedging itself open.



 **UNLOAD & MAKE WEAPON SAFE**

03. Hook Leap mount onto rail from ClickDrive Side and rock onto rail.



04. Close clamp by turning ClickDrive wheel clockwise as tightly as you can (Do not use tools).



Questions?

[Email Support](#)