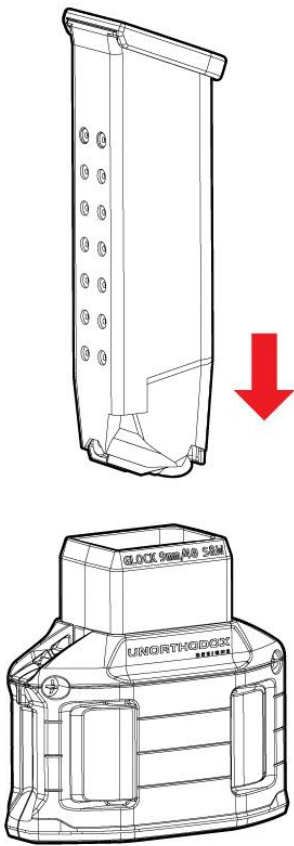
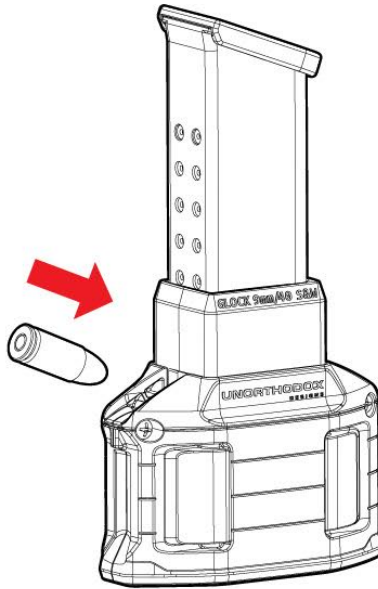


UNORTHODOX^X

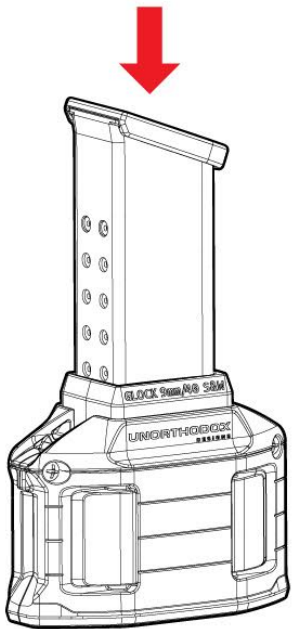
DESIGNS



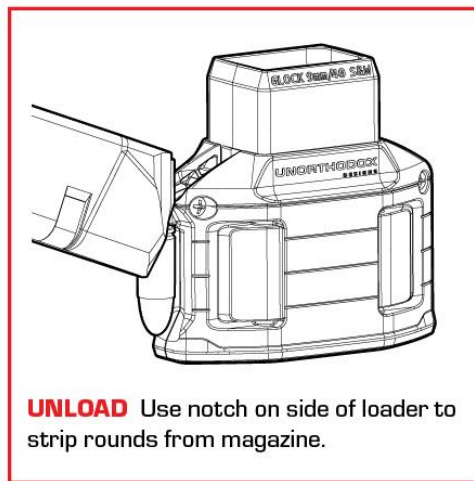
1 Insert a compatible magazine into loader sleeve.



2 Insert round into feed ramp projectile first.



3 Firmly press down on magazine until the loader sleeve is fully compressed. Release and repeat until the magazine is loaded to capacity.



UNLOAD Use notch on side of loader to strip rounds from magazine.